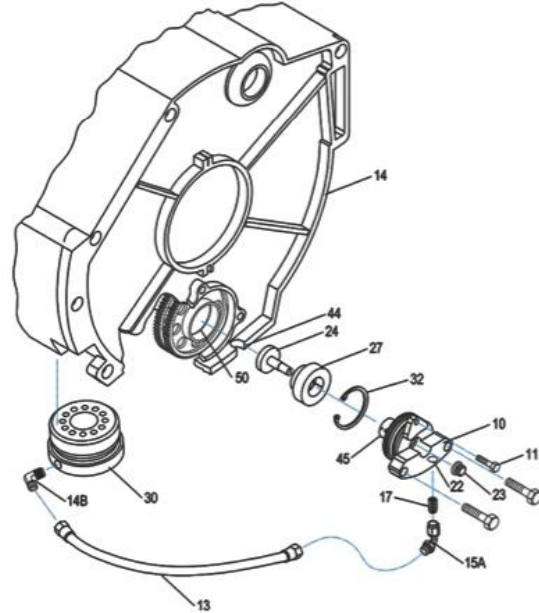


Problem:



Catastrophic engine failure
caused by IMS bearing failure

Solution:



No moving parts. No ball bearing. No problem.

IMS SOLUTION

Prevent costly engine failure by eliminating the problematic ball-bearing by backdating your IMS with a pressure fed oil lubricated plain bearing just like an aircooled Porsche. This patent pending design is the last IMS bearing retrofit you will ever need.

Visit theIMSsolution.com to learn more.

Brought to you by the team that developed the IMS Retrofit and IMS Guardian.



RABY ENGINE DEVELOPMENT
FLAT 6 Innovations
engine evolution

IMS Solution LLC (424) 2 FIX IMS

Copyright IMS Solution LLC. IMS Solution is patent pending.

IMS SOLUTION

We have developed Preventative Packages to keep your Porsche alive and well. Listed below is two of the most common overlooked components that should be replaced after 2-3 years in service, regardless of mileage.

Water Pumps:

When the factory developed these engines they had no idea what the wear intervals would be or how exposure to thermal cycles and coolant would impact the impeller blades. They also didn't want to make the car "look expensive to own" so periodic maintenance intervals on some parts simply never existed. The stock water pump contains impeller blades made of plastic which are prone to break after 2-3 years of service. Some of the coolant passages in the head are small enough to become obstructed with the impeller plastic causing a very localized "hot spot", generally resulting in a head crack. Being pro-active with the water pump is the key. **Being reactive can cost \$20K!**

Broken impeller blades



lead to



Air Oil Separator or AOS: Can lead to engine failure due to hydlock

The Engine oil air separator directly affects the engine crankcase atmosphere because basically all Porsches from 1980 on including the current 986-987-996-997-Cayman & Cayenne engines all are positive crankcase type systems meaning the engine crankcase has vacuum supplied from the intake manifold to collect and burn the residual combustion by-products or blow-by in the crankcase by running it through the engine again, basically to lower the overall vehicle emissions. On most occasions, when the oil separator fails, intake vacuum in the engine crankcase rises to an unusually high or abnormally high figure and more likely than not ends up drawing engine oil into the intake system usually fouling spark plugs and even possibly causing damage to the oxygen sensors (O2), catalytic convertors and even possibly various other sensitive fuel injection components.

When these oil separators fail the crankcase vacuum can rise to 9-12" and even higher depending on the extent of the failure.

When the oil separator is starting to fail on Boxsters (986-987), generally you will start to see a substantial amount of smoke from the exhaust tailpipe. When the oil separator finally fails, the engine exhaust smoke can reach dangerous proportions that almost look like it was manufactured from an anti-mosquito smoke machine.



Don't let this happen to your Porsche!

IMS SOLUTION

Why should you choose Flat 6 Innovations to carry out the Solution Retrofit? Simple, the technology was invented, designed, developed and tested right under this roof!

IMS Solution Preventative Package #1

~ IMS Solution Kit with Spin-On oil filter adapter and Hardware

~Clutch Kit
(OEM Porsche Clutch disc, pressure plate, release bearing)

~Rear Seal Porsche OEM

~DT40 Engine Oil

Parts cost: \$2748.00

Labor cost: \$752.00

Total Package Price \$3500.00

*Additional wear items that may be required. Some items may be **REQUIRED** if out of spec. Check any items below that you would like us to replace:

<input type="checkbox"/>	Serpentine Belt	\$58.79
<input type="checkbox"/>	Flywheel	1113.21
<input type="checkbox"/>	Serpentine belt Idler pulley 1	103.47
<input type="checkbox"/>	Serpentine belt Idler pulley 2	90.97
<input type="checkbox"/>	Serpentine belt Idler pulley 3	90.97
<input type="checkbox"/>	Chain tensioner 1	107.64
<input type="checkbox"/>	Chain tensioner 2	130.54
<input type="checkbox"/>	Chain tensioner 3	79.18

*Note: Some additional wear items can only be determined by a visual inspection once the car arrives for service. We will not install additional items without prior approval from client.

IMS SOLUTION

Why should you choose Flat 6 Innovations to carry out the Solution Retrofit? Simple, the technology was Invented, designed, developed and tested right under this roof!

IMS Solution Preventative Package #2

****Best value and our most popular package****

~ IMS Solution Kit with Spin-On oil filter adapter and Hardware

~Clutch Kit

(OEM Porsche Clutch disc, pressure plate, release bearing)

~Rear Seal Porsche OEM

~Air Oil Separator

~Water Pump/Gasket

~DT40 Engine Oil

Parts cost: \$3250.00

Labor cost: \$1150.00

Total Package Price \$4400.00

*Additional wear items that may be required. Some items may be REQUIRED if out of spec. Check any items below that you would like us to replace:

<input type="checkbox"/>	Serpentine Belt	\$58.79
<input type="checkbox"/>	Flywheel	1113.21
<input type="checkbox"/>	Serpentine belt Idler pulley 1	103.47
<input type="checkbox"/>	Serpentine belt Idler pulley 2	90.97
<input type="checkbox"/>	Serpentine belt Idler pulley 3	90.97
<input type="checkbox"/>	Chain tensioner 1	107.64
<input type="checkbox"/>	Chain tensioner 2	130.54
<input type="checkbox"/>	Chain tensioner 3	79.18

*Note: Some additional wear items can only be determined by a visual inspection once the car arrives for service. We will not install additional items without prior approval from client.

IMS SOLUTION

Why should you choose Flat 6 Innovations to carry out the Solution Retrofit? Simple, the technology was invented, designed, developed and tested right under this roof!

IMS Solution Preventative Package #3

- ~ IMS Solution Kit with Spin-On Oil Filter Adapter and Hardware
- ~Clutch Kit
(OEM Porsche Clutch disc, pressure plate, release bearing)
- ~Rear Seal Porsche OEM
- ~Air Oil Separator
- ~Water Pump/Gasket
- ~Low-Temperature Thermostat/Gasket
- ~Magnetic Drain plug
- ~Spark Plugs
- ~All 3 Chain tensioners
- ~DT40 Engine Oil

Parts cost: \$3911.00

Labor cost: \$1589.00

Total Package Price \$5500.00

*Additional wear items that may be required. Some items may be **REQUIRED** if out of spec. Check any items below that you would like us to replace:

<input type="checkbox"/>	Serpentine Belt	\$58.79
<input type="checkbox"/>	Flywheel	1113.21
<input type="checkbox"/>	Serpentine belt Idler pulley 1	103.47
<input type="checkbox"/>	Serpentine belt Idler pulley 2	90.97
<input type="checkbox"/>	Serpentine belt Idler pulley 3	90.97

*Note: Some additional wear items can only be determined by a visual inspection once the car arrives for service. We will not install additional items without prior approval from client.

IMS SOLUTION

Why should you choose Flat 6 Innovations to carry out the Solution Retrofit? Simple, the technology was Invented, designed, developed and tested right under this roof!

IMS Solution Preventative Package #4

- ~ IMS Solution Kit with Spin-On Filter Adapter and Hardware
- ~Clutch Kit
(OEM Porsche Clutch disc, pressure plate, release bearing)
- ~Rear Seal Porsche OEM
- ~Air Oil Separator
- ~Lifters (24)
- ~Water Pump/Gasket
- ~Low-Temperature Thermostat/Gasket
- ~Magnetic Drain plug
- ~Spark Plugs
- ~All 3 Timing Chain tensioners
- ~4th and 5th Timing Chains
- ~Break-In Oil(for new Lifters)
- ~Coolant
- ~Pentosin power steering fluid

Parts cost: \$5378.00

Labor cost: \$4372.00

Total Package Price \$9750.00

*Additional wear items that may be required. Some items may be REQUIRED if out of spec. Check any items below that you would like us to replace:

<input type="checkbox"/>	Serpentine Belt	\$58.79
<input type="checkbox"/>	Flywheel	1113.21
<input type="checkbox"/>	Serpentine belt Idler pulley 1	103.47
<input type="checkbox"/>	Serpentine belt Idler pulley 2	90.97
<input type="checkbox"/>	Serpentine belt Idler pulley 3	90.97

*Note: Some additional wear items can only be determined by a visual inspection once the car arrives for service. We will not install additional items without prior approval from client.



Please choose which Package:

- Preventative Package #1 \$3500.00
- Preventative Package #2 \$4400.00
- Preventative Package #3 \$5500.00
- Preventative Package #4 \$9750.00

Name: _____

Year and Model: _____

Phone Cell: _____ Hm: _____ Fax: _____

Address(Billing): _____

Address (If vehicle is being shipped): _____

Email: _____

VIN(Required): _____

Date car is to arrive: _____ Drop off? Y__ N__

Do you track the car even for DE events? ____ If yes, what percentage of time does it spend on the track? _____

Do you intend to track the car in the future? _____

_____ Initial here to give us permission to test drive your car approximatly 85 miles.

_____ Initial here to allow for off-site storage of your car in a secure enclosed area(free of charge). Insurance coverage must be maintained since our shop policy does not cover vehicles stored off-site.

Public Disclosure:

We post pictures of the procedure on social media sites such as Facebook and various Internet forums. Do we have your permission to publish the pictures of your vehicle and engine for marketing purposes? Your full name and other private information will not be disclosed. Y__ N__

Method of payment: Cash____ Check ____ Certified funds ____ Credit card ____